

TRITHIN



Description

Very low profile interior lighting module with "smart alarm sense" providing the ability to "force all lighting system to blackout" from any device of the system. Visible or blackout lighting modes, switching to blackout mode depending on pre-determined input cases and light intensity control. "Ambient Light Adaptive System" configuration available. Verified in accordance with MIL-STD-810F and MIL-STD-461E, MIL-STD-1275D and validated at **KAPLAN** MMWT (Modern Medium Weight Tank) of FNSS & PT Pindad.

Physical Specification

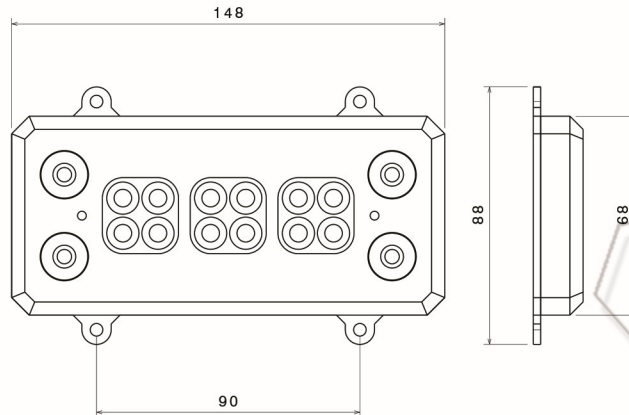
Dimensions: 148 x 78 x 17 mm
Weight: 315 gr

Photometric Specification

Light Intensity (Main Light): 140 Lux @ 1 m
FWHM: 100°
Total Flux: 550 Lumen
Light Intensity (Blackout): 50 Lux @ 1 m
Dimming Range: 100%-20% (4 level)
Blackout Light Colour: Red, Blue, Green

Electrical Specification

Input Voltage: 18-32 VDC
Power Consumption: 5 W
Connector Type: M8- screw locked male connector



WATERPROOF



LED



EMI-EMC



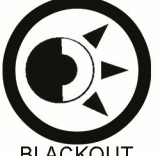
ARMORED VEHICLES



DIMMING



DC VOLTAGE



BLACKOUT



ESD PROTECTED



SHELTER