

AKAY



WATERPROOF



LED



EMI-EMC



ARMORED VEHICLES

Description

An interior lighting module which enables “Event-Driven Mode Change” by microcontroller control. Its design enables to have visible or blackout lighting modes and additionally an emergency mode, distinction of input power type (main/external battery) and light intensity setting by dimmer knob. Verified in accordance with MIL-STD-810G and MIL-STD-461F, MIL-STD-1275D and validated at **ALTAY** Turkish National Tank project also used at Low Altitude Missile Defence System.

Physical Specification

Dimensions: 152x76x33 mm

Weight: 430 gr

Photometric Specification

Light Intensity(Main Light): 220 Lux @ 1m

FWHM: 70°

Total Flux: 600 Lumen

Light Intensity(Blackout Light): 70 Lux @ 1m

Dimming Range: 100%-0%

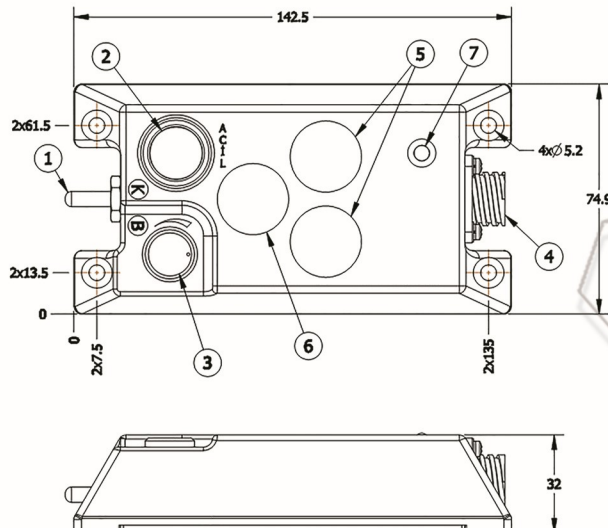
Blackout Light Colour: Red, Blue, Green

Electrical Specification

Input Voltage: 16-32 VDC

Nominal Power: 8 W

Connector Type: CA3102E12SA10PB



DIMMING



DC VOLTAGE



BLACKOUT



ESD PROTECTED



SHELTER